

SHIRAHAMA

Owner's Manual



SETTING THE TIME

ENQUIRIES

support@namicawatches.com

1 WINDING POSITION

Rotate the crown counter-clockwise to unscrew it. The crown will “pop” out once fully unscrewed. Rotate clockwise to wind the watch.

Only wind the watch 3 - 4 times (or until the seconds hand starts to move) before wearing on your wrist. The kinetic motion of your arm will then automatically wind and power your Shirahama throughout the day.

2 TIME SET POSITION

Gently pull out the crown to Position 2 to set the time. Turn the crown counter-clockwise to advance the time.

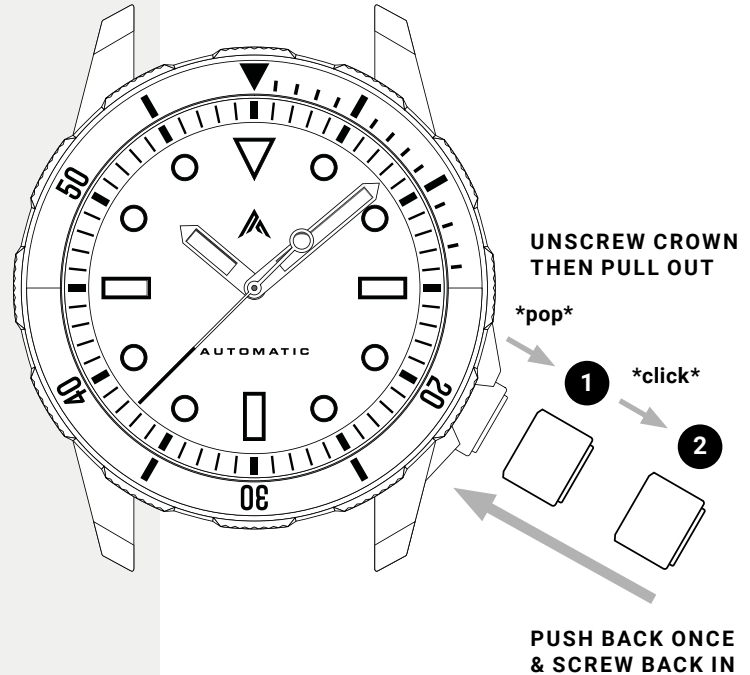
SECURING THE CROWN

Push the crown back in only once. Keep pressure on the crown until you can feel the crown threads catch. Turn clockwise to screw back in.



NOTE

Please keep the crown secured when the watch is in use. Do not over-wind the movement, this will increase risk of wear and tear on the movement.



GENERAL CARE

- Always have the crown fully secured before submerging into water.
- Rinse in fresh water after submerging in salt water.
- Do NOT attempt to open the caseback without prior approval from NAMICA Watches, as this will void your warranty.

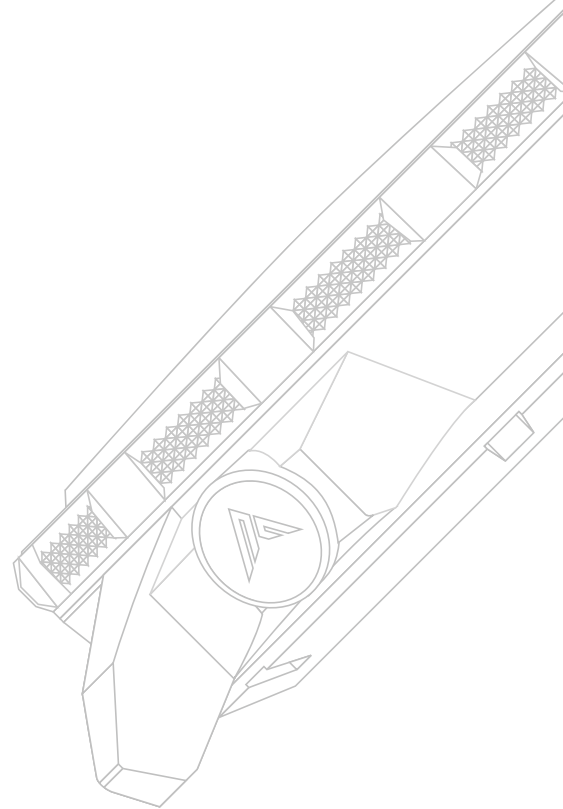
BRACELET CARE

The Shirahama has been fitted with a fully articulating hexad bracelet, this means the individual links are extremely flexible allowing the bracelet to drape comfortably along your wrist. As with any articulating bracelet, we highly recommend you to:

- Resize the bracelet accurately before use.
- Ensure you **DO NOT** fold or collapse the links on top of each other to reduce scratches to the sandblasted surface.

ENQUIRIES

support@namicawatches.com



BRACELET INSTRUCTIONS

RESIZING THE BRACELET

The Shirahama bracelet has screws installed for quick and simple resizing, a standard **flat-tip 1.4mm screwdriver** is required to remove the individual links.

Over time, screws can potentially loosen and come out. Although not totally necessary, we recommend adding Loctite glue to screws to ensure they stay in place.

ADJUSTING THE CLASP

The clasp is solid milled with 3 micro adjustment holes. An industry standard spring bar pin removal tool will be required to make any adjustments for a more accurate fit.

REMOVING THE BRACELET

An industry standard spring bar pin removal tool to remove the bracelet from the watch head itself should you (for example) wish to switch to an alternative strap.

ENQUIRIES

support@namicawatches.com



SPECIFICATIONS

Movement:	Regulated SEIKO SII NH38A
Material:	Sandblasted 316L stainless steel
Bezel:	120-click unidirectional sapphire glass
Crystal:	Double dome sapphire with underside AR
Lume:	Swiss Made Super-LumiNova® BGW9
Bracelet:	Fully articulating with solid end links
Clasp:	Solid milled, 3 level micro adjust
Water Resist:	200m 660ft

MEASUREMENTS

Diameter:	40mm
Lug to lug:	47mm
Thickness:	12.7mm (with crystal: +1mm)
Lug width:	20mm

ENQUIRIES

support@namicawatches.com



FAQS

1. **My watch has stopped. What can I do?**

Mechanical watches run based on the movements of your arm. Give your watch a shake and wind using the crown to get the watch moving again.

2. **My watch is not keeping time accurately**

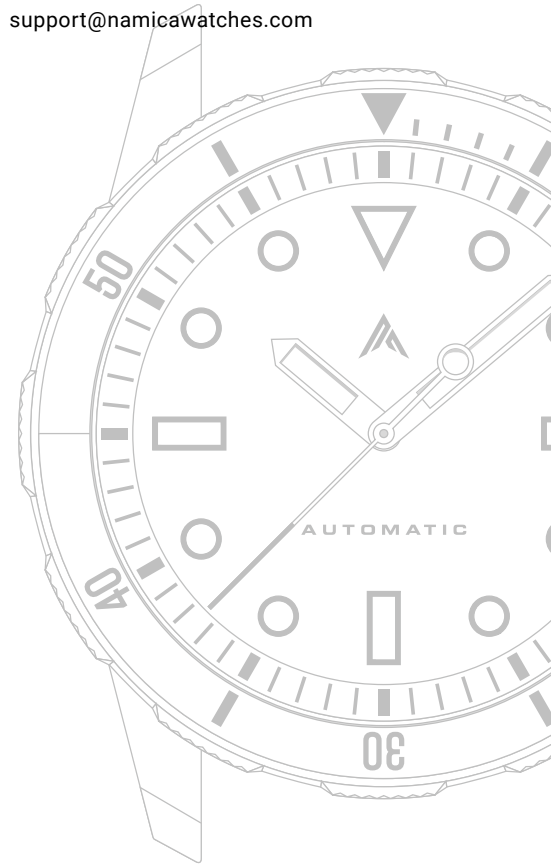
(outside of regulated tolerance of -10/+20 secs per day). Your watch may be magnetized. A watchmaker with a demagnetizer will be able to fix the issue within minutes, for a minimal fee.

3. **Can I polish my watch?**

No. It will potentially damage and remove the sandblasted surface, resulting in an inconsistent finish across your watch.

ENQUIRIES

support@namicawatches.com



WWW.NAMICAWATCHES.COM

