

OKAMI

Owner's Manual



SETTING THE TIME

1 WINDING POSITION

Rotate the crown counter-clockwise to unscrew it. The crown will “pop” out once fully unscrewed. Rotate clockwise to wind the watch.

Only wind the watch 3 - 4 times (or until the seconds hand starts to move) before wearing on your wrist. The kinetic motion of your arm will then automatically wind and power your Okami throughout the day.

2 TIME SET POSITION

Gently pull out the crown to Position 2 to set the time. Turn the crown counter-clockwise to advance the time.

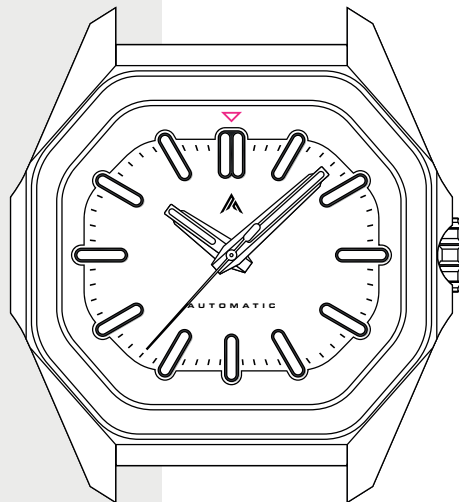
3 SECURING THE CROWN

Push the crown back in only once. Keep pressure on the crown until you can feel the crown threads catch. Turn clockwise to screw back in.

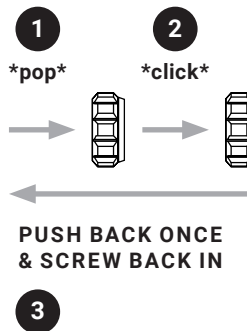


NOTE

Please keep the crown secured when the watch is in use. Do not over-wind the movement, this will increase risk of wear and tear on the movement.



UNSCREW CROWN THEN PULL OUT



ENQUIRIES

support@namicawatches.com

GENERAL CARE

- Always have the crown fully secured before submerging into water.
- Rinse in fresh water after submerging in salt water.
- Do NOT attempt to open the caseback without prior approval from NAMICA Watches, as this will void your warranty.

RUBBER STRAP CARE

Okami has been fitted with a 22mm custom made FKM rubber strap featuring CNC machined buckle and quick release system.

To clean your Okami rubber strap, we recommend you to:

- Mix a few drops of mild soap with warm water, then clean using a soft brush or cloth.
- Rinse the strap thoroughly with clean water to remove all soap residue.
- Dry with a soft cloth or allow the strap to air dry before reattaching to your watch.



ENQUIRIES

support@namicawatches.com

BRACELET CARE

RESIZING THE BRACELET

The Okami Ti bracelet (sold separately) has screws installed for quick and simple resizing, a standard **flat-tip 1.2mm screwdriver** (provided) is required to remove the individual links.

Over time, screws can potentially loosen and come out. Although not totally necessary, we recommend adding Loctite glue to screws to ensure they stay in place.

ADJUSTING THE CLASP

The clasp is solid milled featuring on-the-fly adjustment. Simply push the button on the underside of the clasp, and slide to make any adjustments for a more accurate fit.

REMOVING THE BRACELET

Quick release system is available on the Okami bracelet, simply squeeze the pins together and carefully remove the bracelet from the watch head itself should you (for example) wish to switch to an alternative strap.



NOTE

The Okami features a scratch resistant coating. However, please take extra care when swapping out straps / bracelets as the hardened coating when scraped against each other, can still result in scratches.



ENQUIRIES

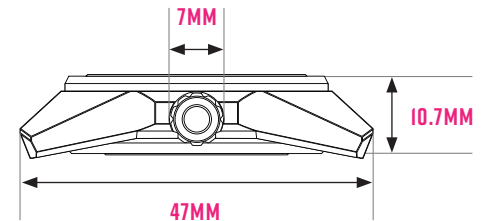
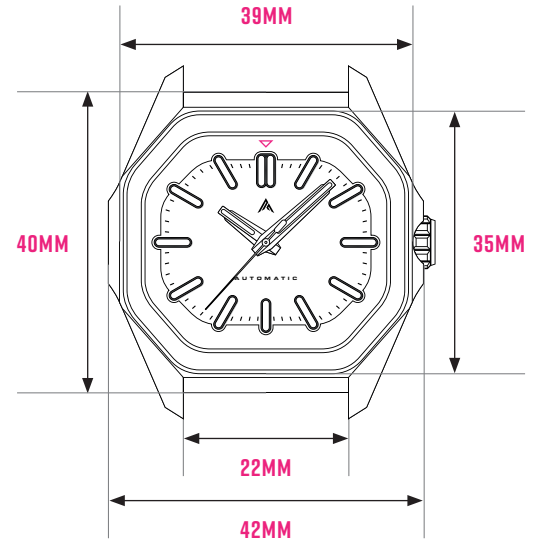
support@namicawatches.com

BASIC SPECIFICATIONS

Movement:	Regulated MIYOTA Premium Cal. 9039
Material:	G2 Titanium + Black DLC / A.T. SHIELD™
Crystal:	Flat sapphire with underside AR
Lume:	Swiss Super-LumiNova®
Water Resist:	100m / 330 feet
Strap:	Premium FKM Rubber / quick release
Buckle:	CNC G2 Titanium + Black DLC / A.T. SHIELD™
Bracelet:	Flat links / solid end links / screws
Clasp:	Solid milled, on-the-fly adjust

BASIC MEASUREMENTS

Diameter:	39mm
Lug to lug:	47mm
Thickness:	10.7mm
Lug width:	22mm



ENQUIRIES

support@namicawatches.com

FAQS

1. My watch has stopped. What can I do?

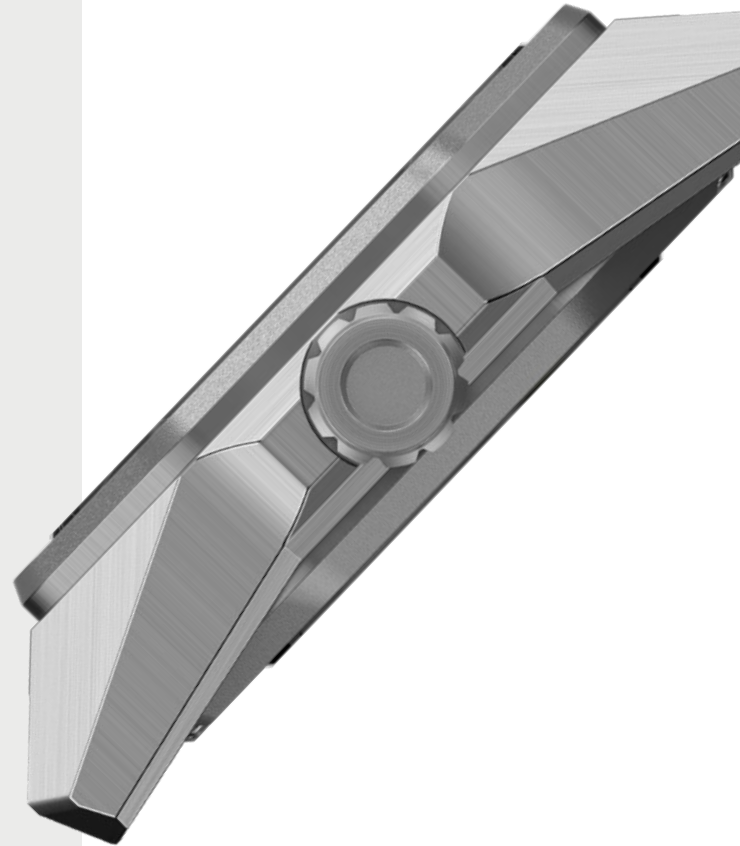
Mechanical watches run based on the movements of your arm. Give your watch a shake and wind using the crown to get the watch moving again.

2. My watch is not keeping time accurately

(outside of regulated tolerance of -07~+07 secs per day). Your watch may be magnetized. A watchmaker with a demagnetizer will be able to fix the issue within minutes, for a minimal fee.

3. Can I polish my watch?

No. It will potentially damage and remove the scratch resistant Black DLC / A.T. SHIELD™ surface, resulting in an inconsistent finish across your watch.



ENQUIRIES

support@namicawatches.com

WWW.NAMICAWATCHES.COM

